

MOTORTECH Throttle Bodies

For MAN[®] E2876 LE 202/212/302



MOTORTECH Throttle Bodies For MAN® E2876 LE 202/212/302

Based on its proven design, MOTORTECH offers a special throttle body for MAN® engine series E2876 LE. Engineered as a replacement and plug & play solution for the original part, the throttle body perfectly fits into the existing structure between both manifolds behind the intercooler of the engine.

In addition to the commonly used version, MOTORTECH completes the series with the ITB throttle body design. The integrated stepper motor is extremely precisely actuated by the VariStep3 stepper motor driver in combination with the SC100 speed controller and eliminates the use of an external actuator. This version is especially suited for new installations or plant and engine revisions.



Properties & Features

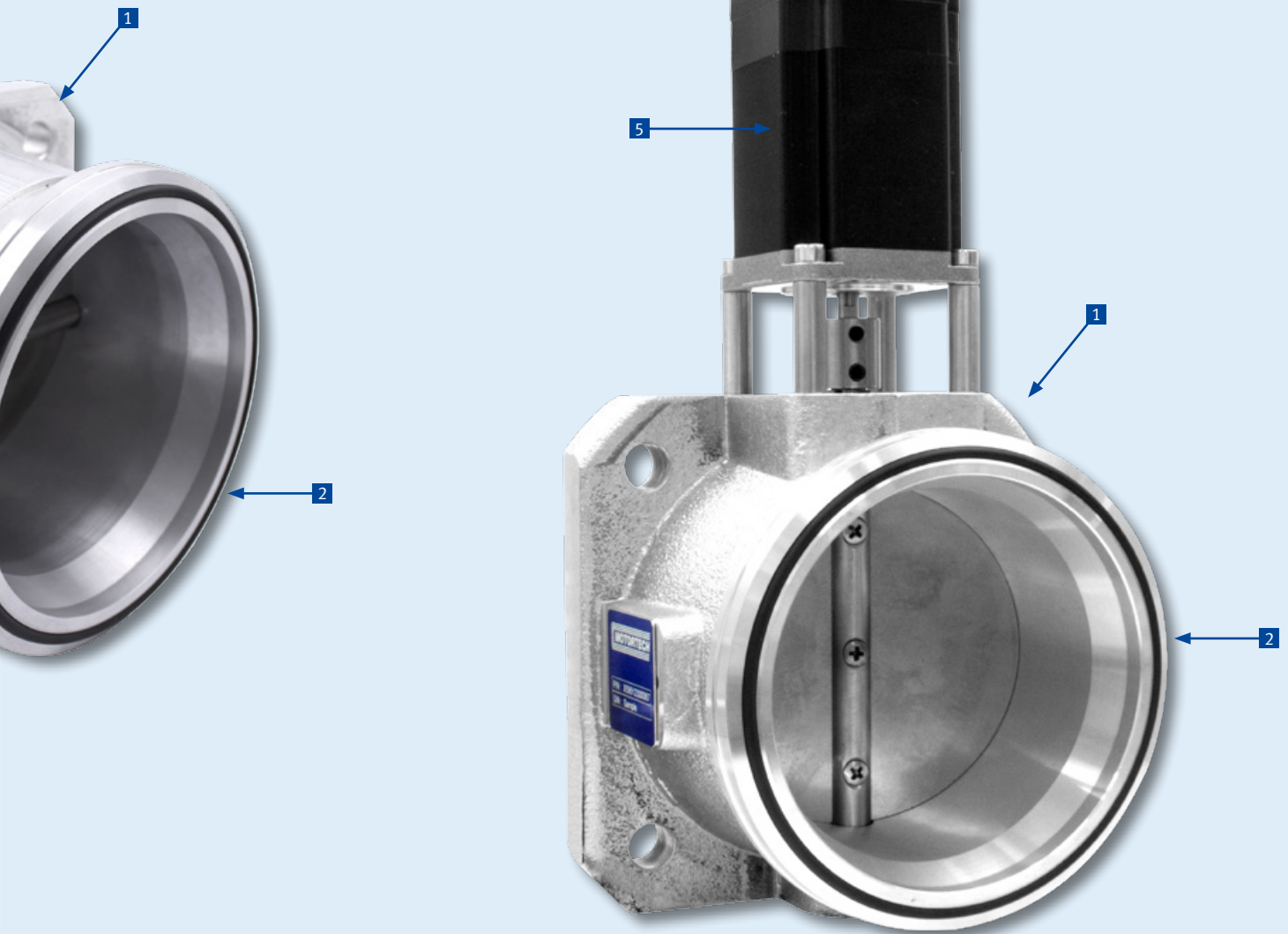
- Applicable for media such as natural gas and special gases
- Reinforced shaft and butterfly valve made of stainless
- High temperature resistant shaft seals
- Use of ball bearings instead of plain bearings
- End stop and screw for idle speed adjustment
- Lever for connection to the external actuator or integrated stepper motor
- Same flange design for a simple replacement
- O-rings for sealing embedded in the housing
- Maintenance-free part



Flange opposite to intercooler



Flange intercooler-sided



End stop and screw for idle speed adjustment



Lever for connection to an external actuator



Integrated stepper motor actuator



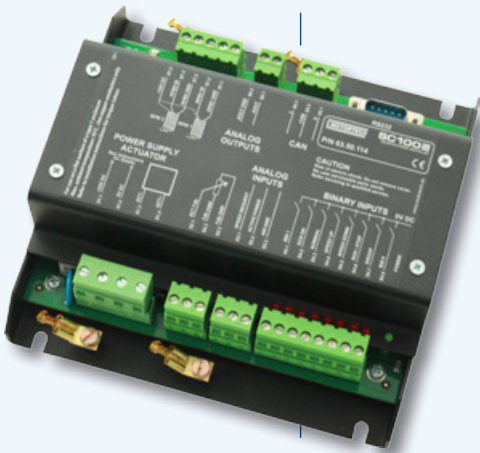
MIL style connector for connection to VariStep3 stepper motor driver



VariStep3 Stepper Motor Driver

The stepper motor driver guarantees the ideal control of the throttle bodies with integrated stepper motor and the various types of MOTORTECH VariFuel2 air/gas mixers.

- Precise adjustment due to microstep operation
- Integrated CANopen and Modbus RTU interface
- Easy access to connectors and switches
- Configuration via MICT software
- Protection class IP 20



SC100 Speed Controller

The SC100 guarantees precise and fast speed control of industrial gas engines in variable load applications (island operation) and precise load control in network parallel operation.

- Analog output signals 0-10 V / 0-20 mA signal for stepper motor driver
- Actuator position feedback utilisation
- Different settings for island and network parallel operation to suit the required control parameters
- Protection class IP 20



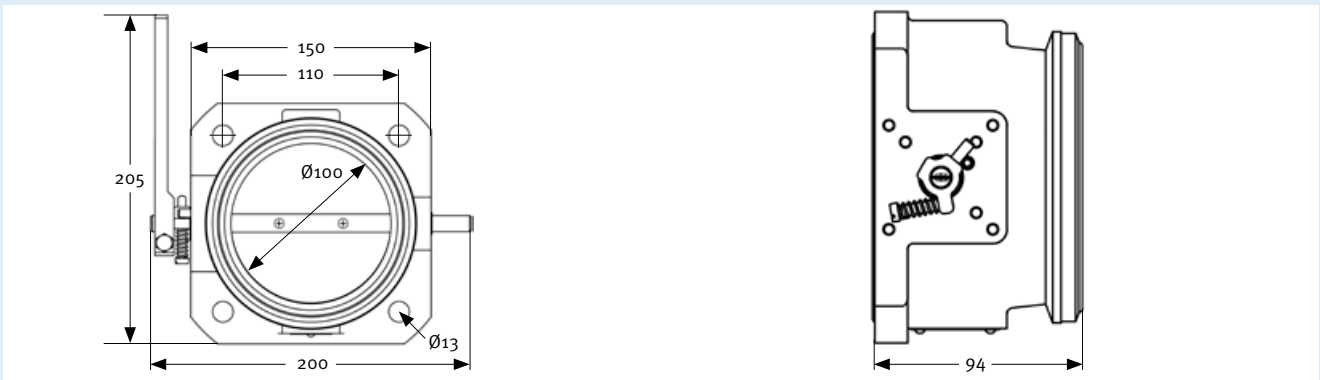
Magnetic Speed Pickup

Different types of magnetic pickups for speed sensing on the flywheel starter ring gear are available.

- 5/8-18 UNF or M16x1,5 threads
- 2 pole connector with 50 ft./15 m cable

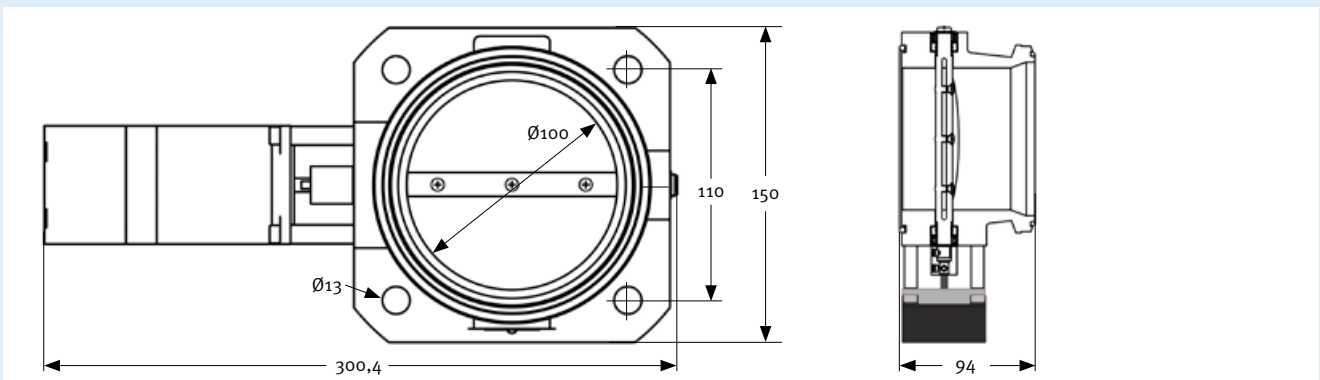
Ordering Information – Throttle Bodies

P/N	Description	Equivalent to
30.41.152-100-HT	Throttle body for MAN® E2876 LE 2xx/302	51.13105-6013, 51.13105-6021



Ordering Information – ITB Throttle Bodies & Accessories

P/N	Description	Equivalent to
30.43.152-100	ITB throttle body for MAN® E2876 LE 2xx/302	51.13105-6013, 51.13105-6021
31.01.942	Stepper motor harness, MIL connector, 10 pole, socket, 90°, length 10 m	
31.01.960	VariStep3 stepper motor driver	
63.50.114	SC100 speed controller	
63.60.001-50	Pickup, magnetic, M16x1,5 x 64 mm, 50 ft./15 m cable	
alternativ 63.60.002-50	Pickup, magnetic, 5/8-18 UNF x 64 mm, 50 ft./15 m cable	



We aim at your problems!



Regardless of which part of the globe we need to travel to.

We know that the stakes are high, and therefore we outperform the others. That is because we want everything to run smoothly at your site, everywhere and at any time.



This is entirely in keeping up with our motto:

Let us drop everything and work on your problem!



Distribution partner for DENSO spark plugs



MOTORTECH GmbH

Hogrevestr. 21-23
29223 Celle
Phone +49 5141 93 99 0
Fax +49 5141 93 99 99
www.motortech.de
motortech@motortech.de

MOTORTECH AMERICAS, LLC

1400 Dealers Avenue, Suite A
New Orleans, LA 70123
Phone: +1 504 355 4212
Fax +1 504 355 4217
www.motortechamericas.com
info@motortechamericas.com

Distributed by:

Copyright

Copyright reserved for all materials used in MOTORTECH publications. Any reproduction or use of items such as photos or text passages in other electronic or printed publications is only permissible with consent from MOTORTECH.

Trademark notice

MOTORTECH products and the MOTORTECH logo are registered or common law trademarks of MOTORTECH Holding GmbH.

All OEM names and part numbers are cited only for reference purposes. All rights to trademarks, logos and symbols used or displayed in MOTORTECH publications are reserved exclusively by the respective owners and are used only for reference purposes.